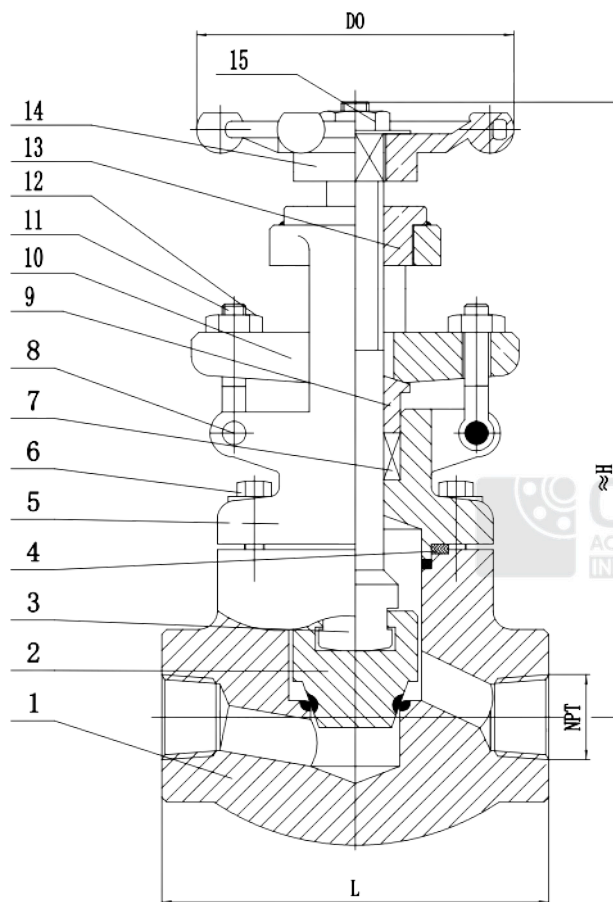


**FIG. 53**



in	L	NPT	DO	≈H
1/2"	79	1/2"	100	160
3/4"	92	3/4"	100	165
1"	111	1	125	192
1-1/4"	120	1-1/4"	160	215
1-1/2"	152	1-1/2"	160	239
2"	172	2"	180	270

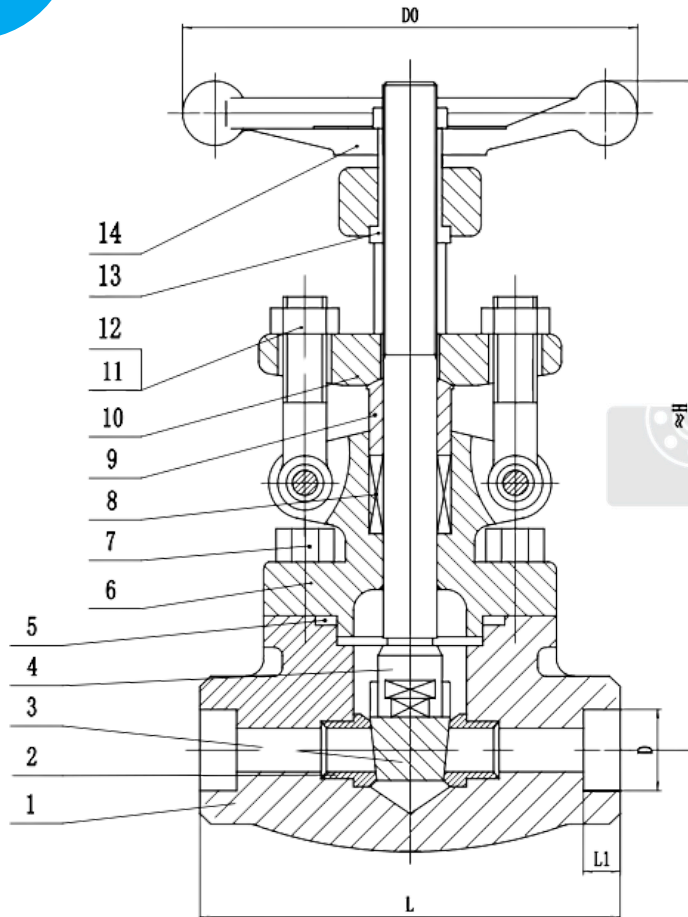
Performance Specification				
<b>Nominal Pressure</b>		800LB		
<b>Pressure test</b>	Strength test	19.5	MPa	Water
	Shell test	14.3		Water
	Seal test	14.3		Water
	Low pressure seal test	0.6		Air
<b>Suitable Temperature</b>		-28~425° C		
<b>Suitable Media:</b> Water, Air and Oil etc.				

**Technical Requirements**

- 1 Design & manufacture conform to: API602
- 2 Face to Face conform to: ASME B16.10
- 3 Thread dimensions conform to ASME B1.20.1
- 4 Test & Inspect conform to API 598

Material Table		
15	Nut	A 194 2H
14	Hand Wheel	KTH330-08
13	Stem Nut	35#
12	Bolt	A193 B7
11	Nut	A194 2H
10	Plate	A 105
9	Sleeve	1Cr13
8	PIN	C.S
7	Packing	Graphite
6	Bolt	A 193 B7
5	Bonnet	A 105
4	Gasket	304+Graphite
3	Stem	2Cr13
2	Disc	13Cr
1	Body	A105+STL
NO.	PART NAME	MATERIAL
<b>Product name:</b> Globe Valve NPT		<b>Classe:</b> 800
<b>Designer:</b> CDV INDUSTRIAL		<b>Type:</b> J11Y-800LB-00
<b>Date:</b> MAR/2025		<b>Drawing:</b> Fig 53

FIG.  
53



in	L	D	L1	DO	≈H
1/2"	79	21.8	10	100	160
3/4"	92	27.2	13	100	165
1"	111	33.9	13	125	192
1-1/4"	120	42.7	13	160	215
1-1/2"	152	48.8	13	160	239
2"	172	61.2	16	180	270

Performance Specification				
<b>Nominal Pressure</b>		800LB		
<b>Pressure test</b>	Strength test	19.5	MPa	Water
	Shell test	14.3		Water
	Seal test	14.3		Water
	Low pressure seal test	0.6		Air
<b>Suitable Temperature</b>		-28~425° C		
<b>Suitable Media:</b> Water, Air and Oil etc.				

**Technical Requirements**

- 1 Design & manufacture conform to: API602
- 2 Face to Face conform to: ASME B16.10
- 3 Thread dimensions conform to ASME B1.20.1
- 4 Test & Inspect conform to API 598

Material Table		
15	Nut	A 194 2H
14	Hand Wheel	KTH330-08
13	Stem Nut	35#
12	Bolt	A193 B7
11	Nut	A194 2H
10	Plate	A 105
9	Sleeve	1Cr13
8	PIN	C.S
7	Packing	Graphite
6	Bolt	A 193 B7
5	Bonnet	A 105
4	Gasket	304+Graphite
3	Stem	2Cr13
2	Disc	13Cr
1	Body	A105+STL
NO.	PART NAME	MATERIAL
<b>Product name:</b> Globe Valve SW		<b>Classe:</b> 800
<b>Designer:</b> CDV INDUSTRIAL		<b>Type:</b> J61Y-800LB-00
<b>Date:</b> MAR/2025		<b>Drawing:</b> Fig 53